

A Holding Device For Castrating Hogs

T. K. Johnson

J. E. Oldfield

Press or radio announcement of this
bulletin should not be made prior to
NOV 7 1953

Agricultural Experiment Station
Oregon State College
Corvallis

Circular of Information 534

October 1953

A Holding Device for Castrating Hogs

T. K. JOHNSON, J. E. OLDFIELD
Oregon Agricultural Experiment Station

Restraining young pigs during castration is commonly accomplished by holding them by their hind feet, head down, with the belly away from the holder and toward the person performing the operation. Sometimes, however, it is impossible to castrate pigs around weaning time. Unfavorable weather, lack of help, and other reasons cause delay. It is often better to let purebred boars "grow out a little," so you can note their growth rate and conformation before deciding whether to keep them for breeding purposes.

When castrating animals weighing 60 pounds or more, restraint is difficult. Heavier pigs are awkward to hold in the manner described above. Their struggles are hard to control and may lead to accidental rupture.

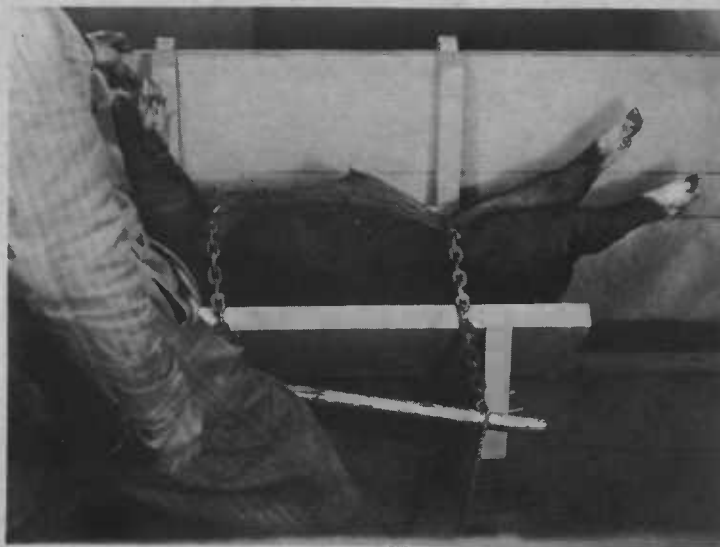
The device described in this circular has proved satisfactory for holding larger pigs for castration. It is also easy to operate. If necessary, one man can carry out the operation without help.

Construction

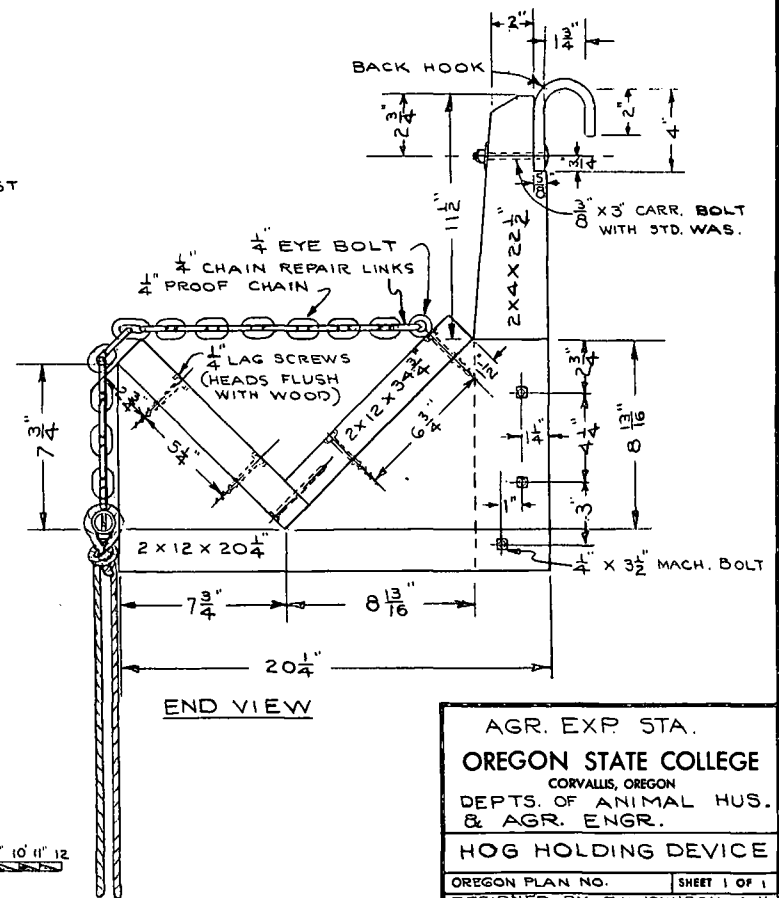
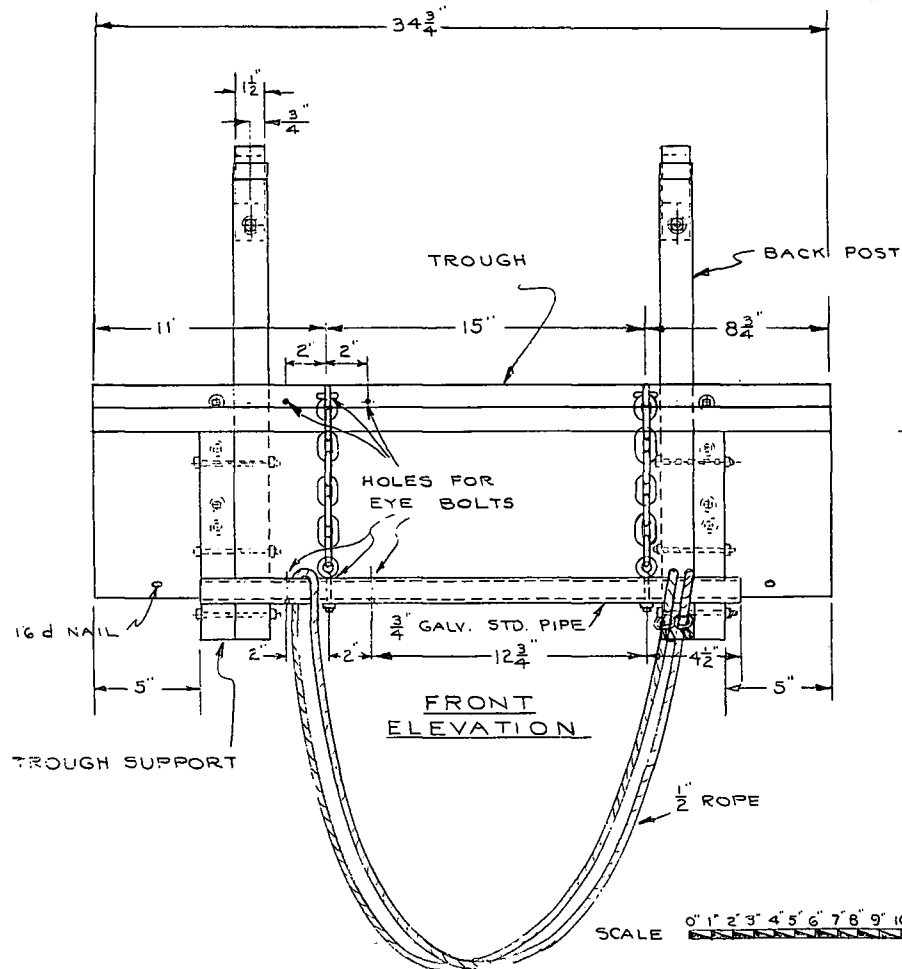
The holder is a shallow trough in which the pig is secured. It is easily built from materials around your farm. The dimensions and bill of materials necessary are shown in Figure 4.

Operation

Catch the hog by the hind legs and lift into the trough, back down. Lay the two restraining chains over the animal as shown in Figure 1 so they are positioned just behind the forelegs and in front of the hind legs. Then apply pressure by putting one foot in the rope loop attached to the chain. Lay a V trough of 2"x6" lumber inside the large trough castrating smaller animals.



MATERIAL LIST		
AMT.	SIZE	NAME & DESCRIPTION
2	2 X 12 X 34 $\frac{3}{4}$ "	TROUGH
2	2 X 12 X 20 $\frac{3}{4}$ "	TROUGH SUPPORT
2	2 X 4 X 22 $\frac{3}{4}$ "	BACK POST
2	1 $\frac{1}{2}$ " X 2" X 8" STEEL	BACK HOOKS
2	20" LONG	STEEL CHAIN (1" PROOF COIL)
1	25 $\frac{1}{2}$ " LONG	PIPE STD. $\frac{3}{4}$ " GALV.
4	1"	CHAIN REPAIR LINKS
4	$\frac{1}{2}$ " X 2" (UNDER EYE)	EYE BOLTS WITH NUTS
1	$\frac{1}{2}$ " X 10'-0"	ROPE
4	16 d	NAILS COMMON
6	$\frac{1}{4}$ " X 3 $\frac{1}{2}$ "	BOLTS MACH.
2	$\frac{3}{8}$ " X 3"	BOLTS CARR. WITH STD. WAS.



AGR. EXP. STA.
OREGON STATE COLLEGE
 CORVALLIS, OREGON
 DEPTS. OF ANIMAL HUS.
 & AGR. ENGR.
HOG HOLDING DEVICE
 OREGON PLAN NO. _____ SHEET 1 OF 1
 DESIGNED BY T.K. JOHNSON A.H.
 J.E. OLDFIELD A.H.

SCALE 0' 1' 2' 3' 4' 5' 6' 7' 8' 9' 10' 11' 12'