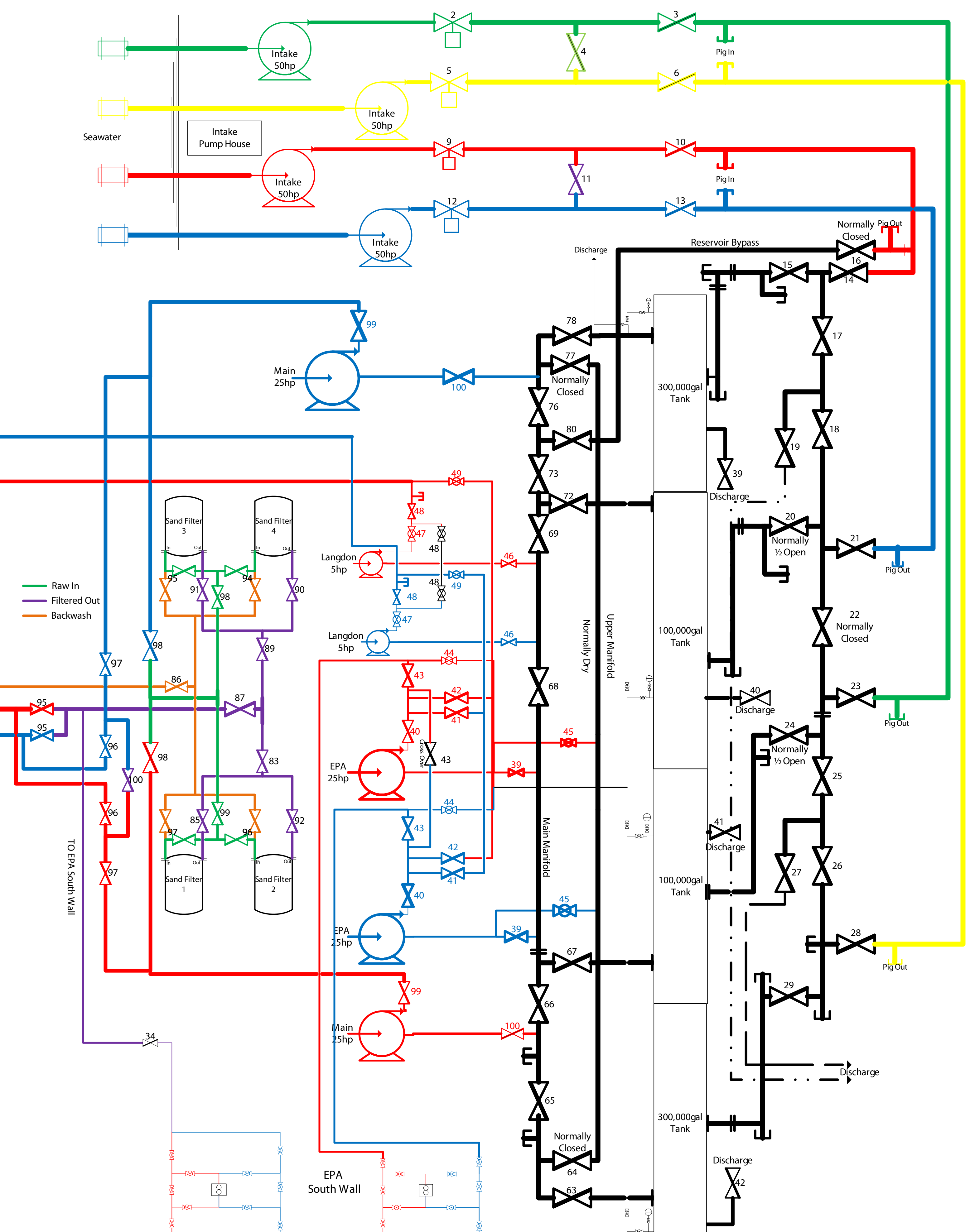
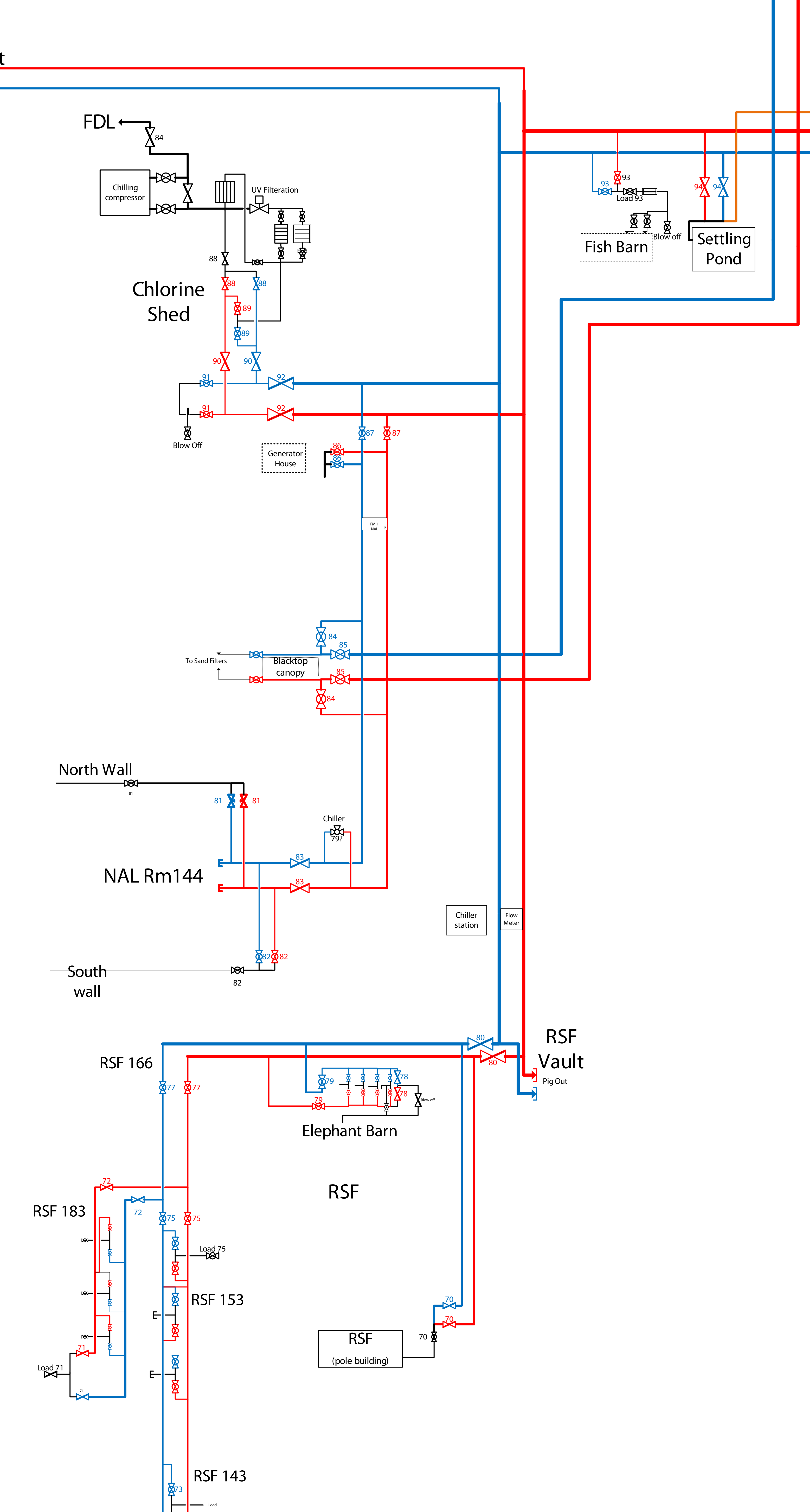
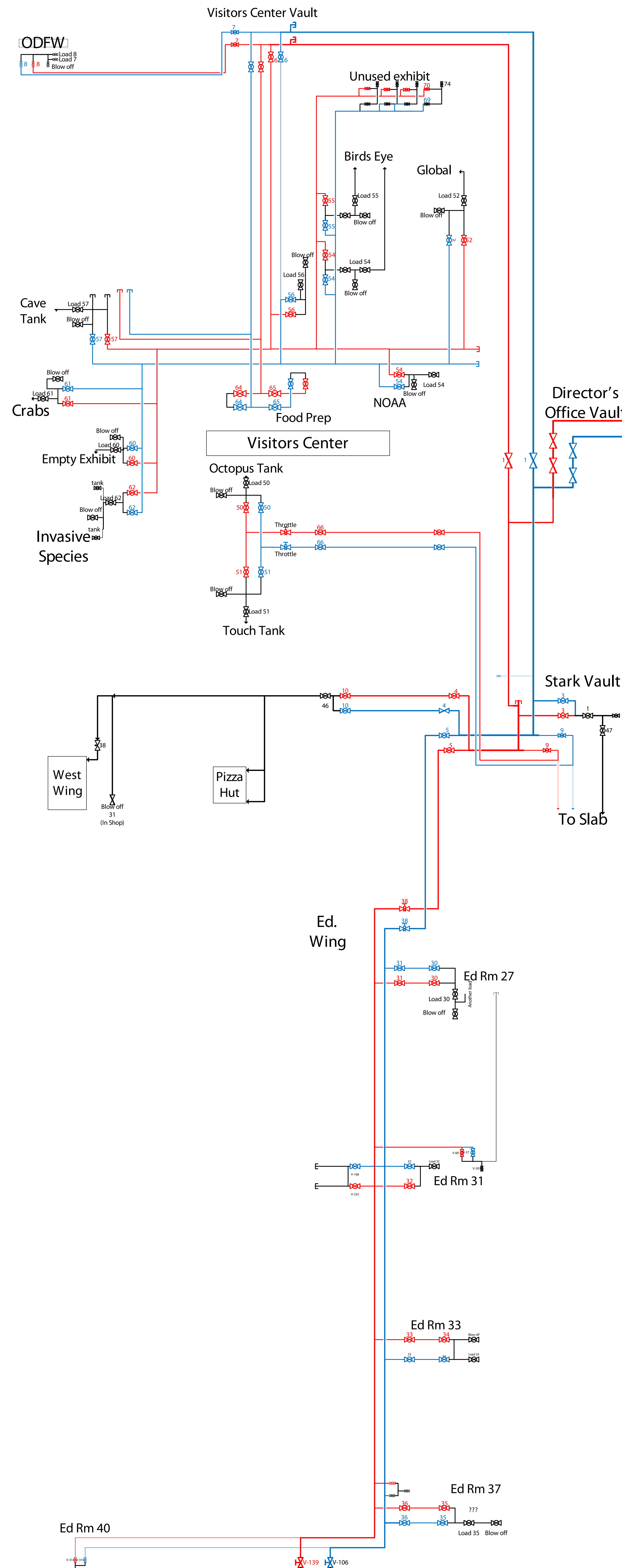


Hatfield Marine Science Center Seawater Distribution System

David Applegate
2013

Red Line 10"
Blue Line 6"
Load 4"



Seawater System Intake, Storage, Distribution Single Line Schematic		David Applegate Energy Systems Engineering	
		Oregon State University Hatfield Marine Science Center	
Drawn By: David Applegate, OSU ESE Intern	ISS: 002	FIG: 001	REV: 001
Overseen By: Jim Lewis, Facilities Manager Robin Feuerbacher, OSU ESE Professor	DATE: 1.1.1	275	1 OF 1
		August 28, 2013	