

Kitchen Utility Wagon and Lap Table

By MABEL C. MACK

Assistant State Supervisor, Emergency Farm Labor

The kitchen utility wagon on ball-bearing casters will do double duty for busy homemakers. It will provide a lap table at a convenient height so that the worker may sit to perform many tasks, such as preparing fruits and vegetables for meals, or for canning, or mixing a cake.

It can also be used to save steps in carrying food and dishes between kitchen and dining room, and will serve as an extra work surface for stacking soiled dishes at the right of the dish-washing center.



The top tray as pictured has a frame extending $1\frac{1}{2}$ inches above the tray, to keep dishes from sliding off, and 2 inches below to strengthen the legs.

Build the tray with a flat surface if desired. Finish the trays and lap table with linoleum or a waterproof varnish. A 1-inch wood cove placed on the inside of the upper tray will give added strength and make cleaning easier. Finish the wood to match the kitchen woodwork, or varnish it.

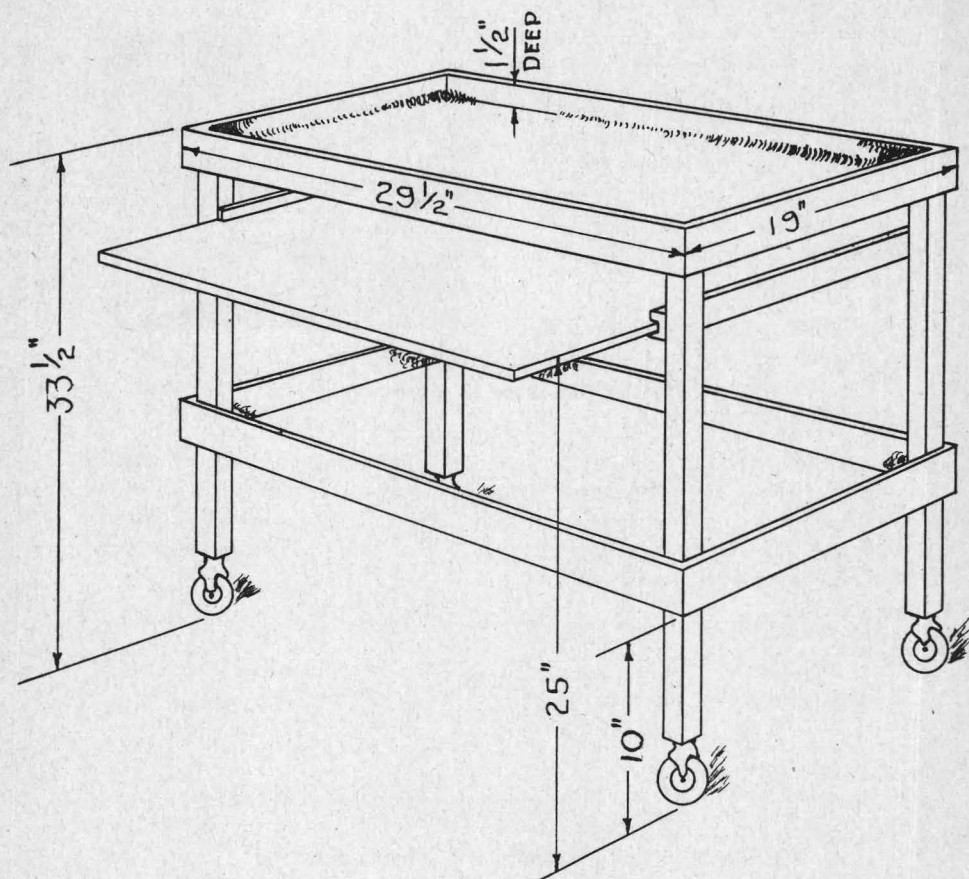
The height of the wagon may vary from 33 inches to 36 inches.

The height of the lap table should be determined by the sitting height of worker. It may vary from 25 inches to 27 inches.

Oregon State System of Higher Education
Federal Cooperative Extension Service
Oregon State College
Corvallis

The following measurements, used to construct the table 33½ inches high, and lap table 25 inches high, are given as a guide:

- 2 pieces 28" x 18" (for trays)
- 1 piece 18" x 22" x ¾" (for lap table)
- 2 pieces 29½" x 4" (for upper sides)
- 2 pieces 19" x 4" (for upper ends)
- 2 pieces 28½" x 3" (for lower sides)
- 2 pieces 18" x 3" (for lower ends)
- 2 pieces 1½" x 19" (for lap table guides)
- 4 pieces 2" x 2" x 30" (for legs, length dependent on height of table)



Designed by Esther Pond, Home Management Specialist, State College of Washington, Pullman, Wn.

Cooperative Extension Work in Agriculture and Home Economics
Wm. A. Schoenfeld, Director
Oregon State College and United States Department of Agriculture, Cooperating
Printed and distributed in furtherance of the Acts of Congress of May 8 and June 30, 1914