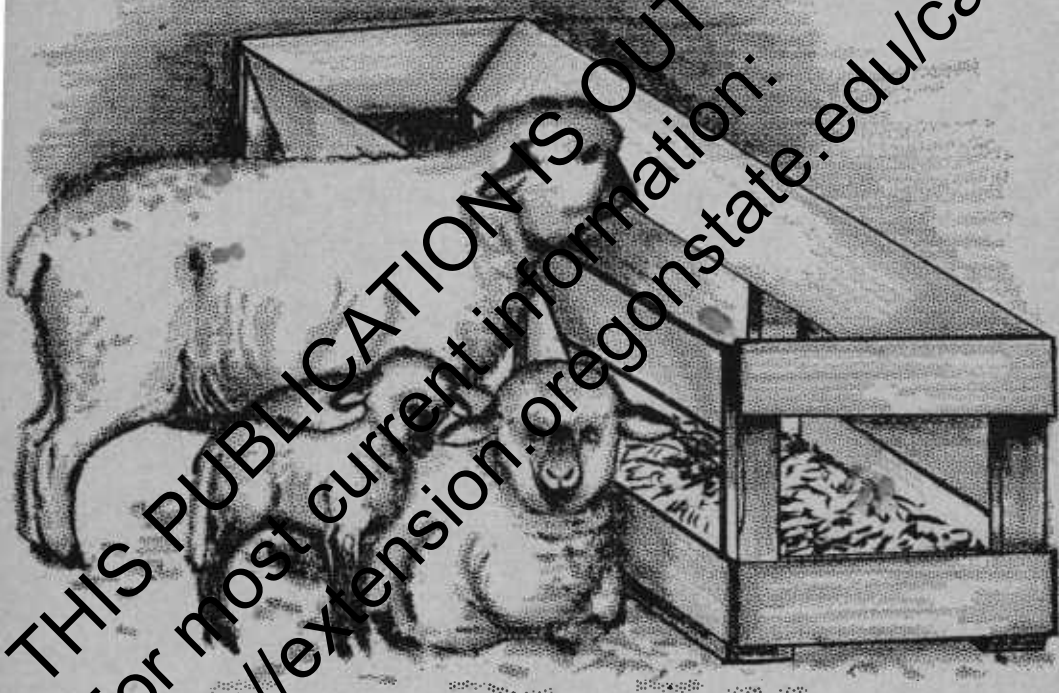


SHEEP HANDLING EQUIPMENT

For the Farm Flock

THIS PUBLICATION IS OUT OF DATE.
For most current information:
<http://extension.oregonstate.edu/catalog>



PNW Bulletin 34

May 1959

SHEEP HANDLING EQUIPMENT

For the Farm Flock

THE BUILDINGS AND EQUIPMENT necessary for the proper handling of sheep do not need to be elaborate or costly. The right kind of equipment will save you money and labor.

Sheep confined to muddy and wet areas will not do well. Shelters should be dry and well drained, with adequate ventilation but free from drafts. Sheep need no special provision for warmth.

Fresh water should be available to sheep at all times. Automatic watering devices may be purchased and installed in lambing pens and feeding areas and will save much labor.

Plans for shed-type sheep shelters and other farm buildings are available from the plan services of the State Colleges. See your County Extension Agent for additional assistance.

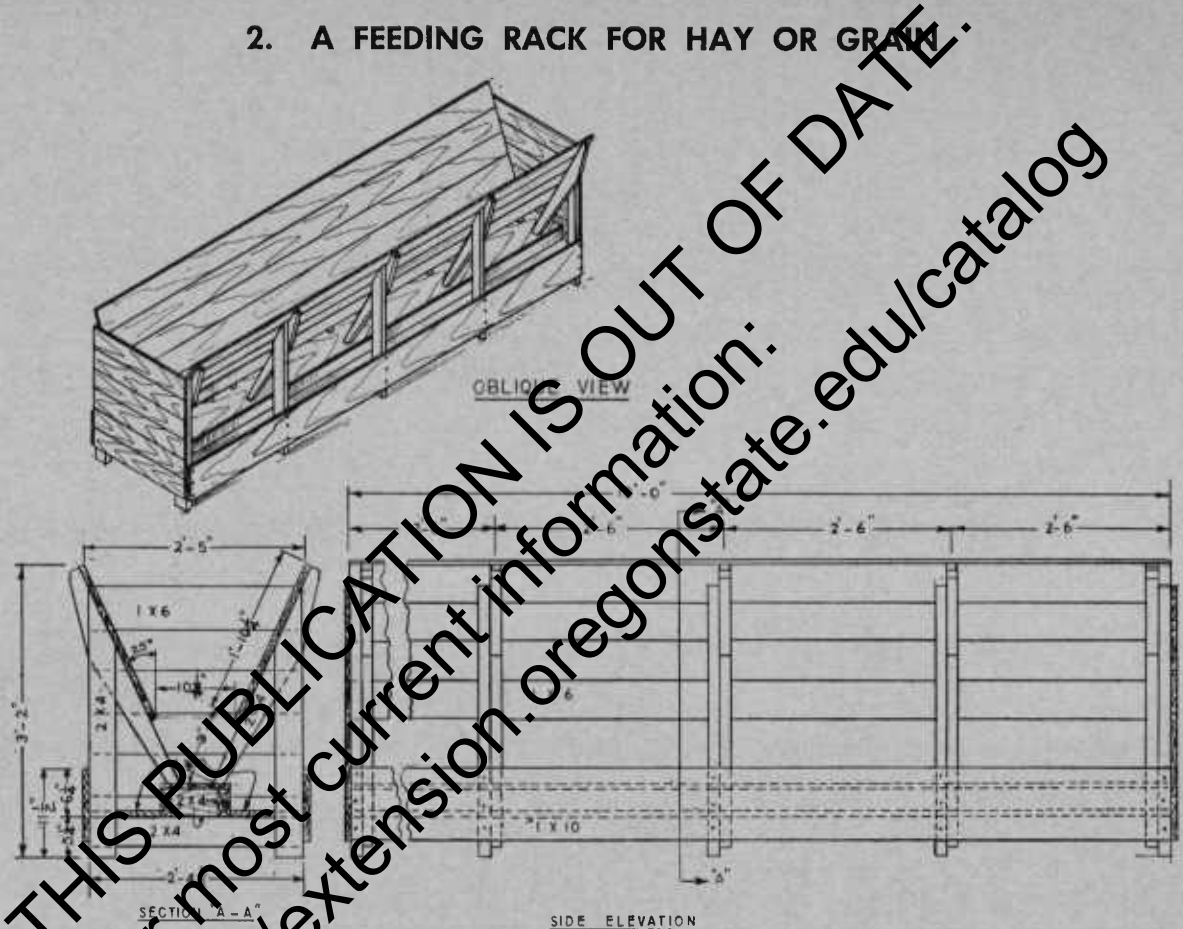
This bulletin was prepared by M. G. Huber, Extension Agricultural Engineering Specialist, and Dean Frischknecht, Extension Animal Husbandry Specialist, Oregon State College, in cooperation with the Departments of Agricultural Engineering and Dairy and Animal Husbandry at Oregon State College, University of Idaho, and the State College of Washington.

THIS PUBLICATION IS OUT OF DATE.
For most current information, see <http://extension.oregonstate.edu/catalog>.

This bulletin includes plans for . . .

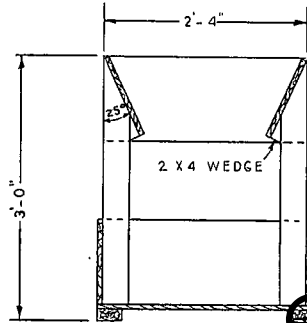
1. A **self-feeder** that can be used for either pellets or ground grain.
2. A **feeding rack** that can be used for either hay or grain or both.
3. A **hay feeder** that can be made portable and that is satisfactory for either chopped or long hay.
4. A **grain trough** that is reversible and portable.
5. A **covered salt box** that provides protection against rain.
6. A **feeding fence** for feeding silage from a trench or bunker silo.
7. A **wool-packing rack** of simple design that will hold a 200-pound-capacity wool bag for convenient filling and packing.
8. **Creep panels** in two different designs—other designs that provide about the same opening might be equally satisfactory for creep for small flocks.
9. A **hinged panel** for making pens in sheltered areas or for use as a hurdle.
10. A **3-way cutting gate** that can be used in any number of combinations and can be made portable.
11. A **portable loading chute** that makes it possible to load into the top deck of a truck. (A loading chute must be easy to take apart and haul with the load of sheep so that it can be used for unloading as well as loading. The most simple type of chute is a cleated incline made with two side panels and a floor.)
12. A **foot bath** that calls for 2" x 8" sides and cleats on a 3/4" exterior plywood floor. (It could be made out of 6" material on the sides and can be made to fit in the chute just before the sheep go into the cutting gate. Note that this foot bath needs to be set level. Use a waterproof glue at the joints to help prevent leaking. Cleats should be provided in the foot bath.)
13. A **shepherd's crook** that is an essential piece of equipment for catching sheep. (In some areas crooks are available in stores, but they can be handmade.)
14. A **portable sheep-blocking box** that is a convenience whenever sheep are to be cleaned, blocked, and trimmed for demonstration or exhibition.
(Courtesy Kansas State College)
15. A **shade or shelter** that may be portable or pole-frame for permanent installation.

2. A FEEDING RACK FOR HAY OR GRAIN.

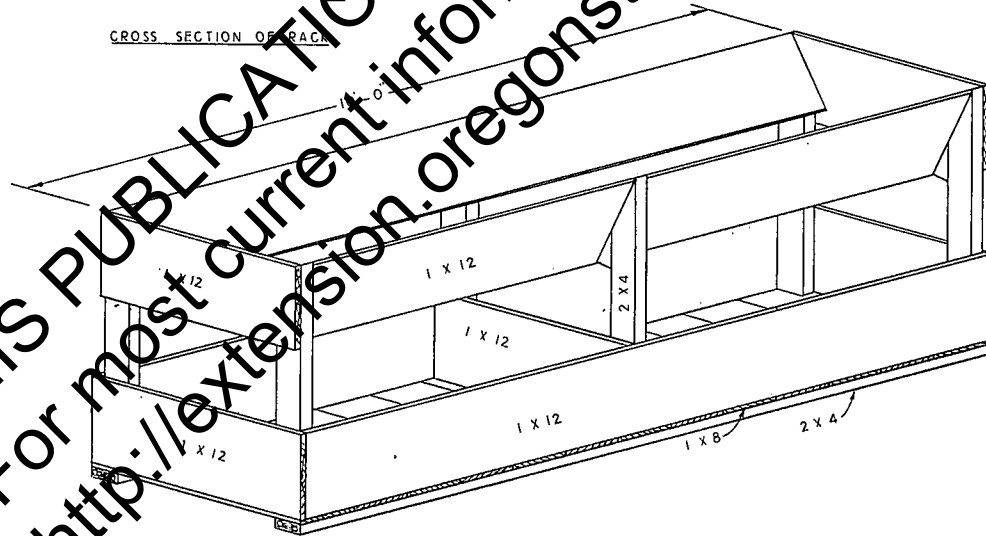


THIS PUBLICATION IS OUT OF DATE.
For most current information:
<http://extension.oregonstate.edu/catalog>

3. A FEEDER FOR CHOPPED OR LONG HAY

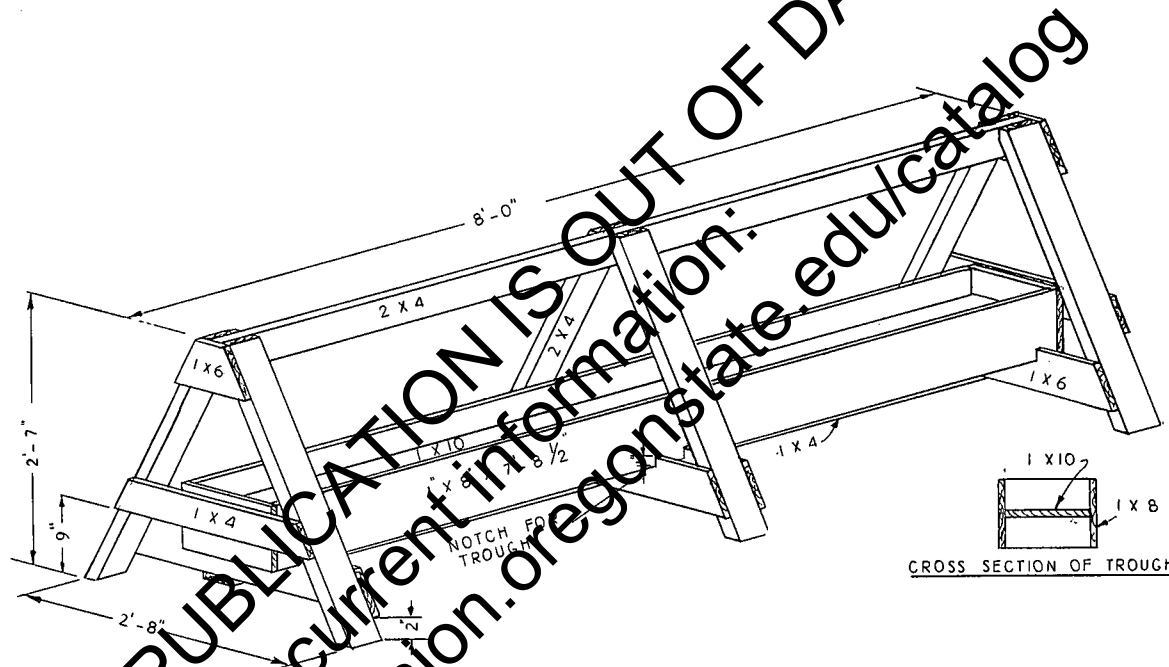


CROSS SECTION OF TRACK



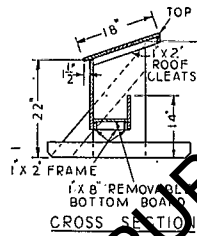
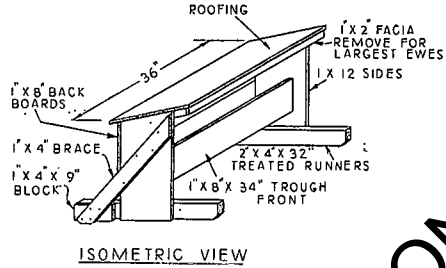
THIS PUBLICATION IS OUT OF DATE.
For most current information:
<http://extension.oregonstate.edu/catalog>

4. A REVERSIBLE, PORTABLE GRAIN TROUGH

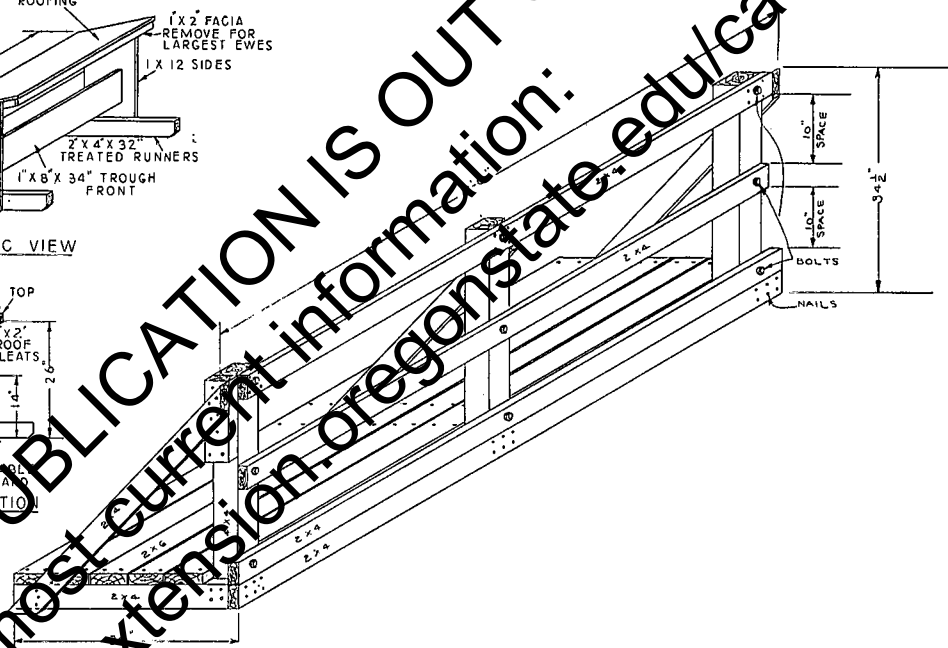


THIS PUBLICATION IS OUT OF DATE.
For most current information:
<http://extension.oregonstate.edu/catalog>

5. A COVERED SALT BOX

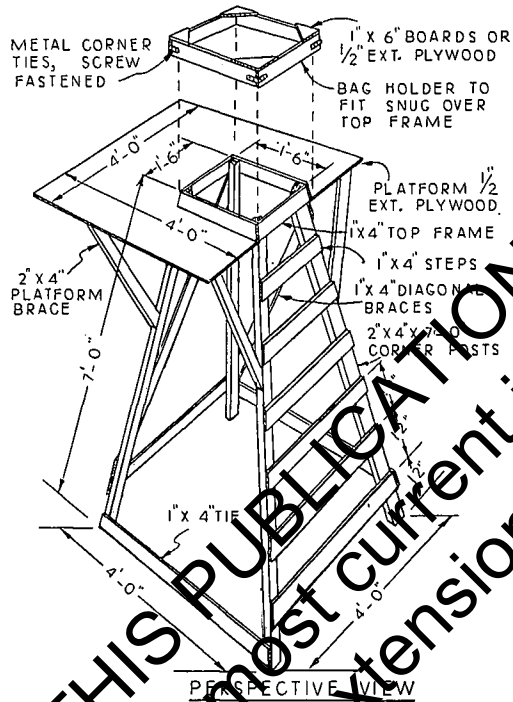


6. A FEEDING FENCE

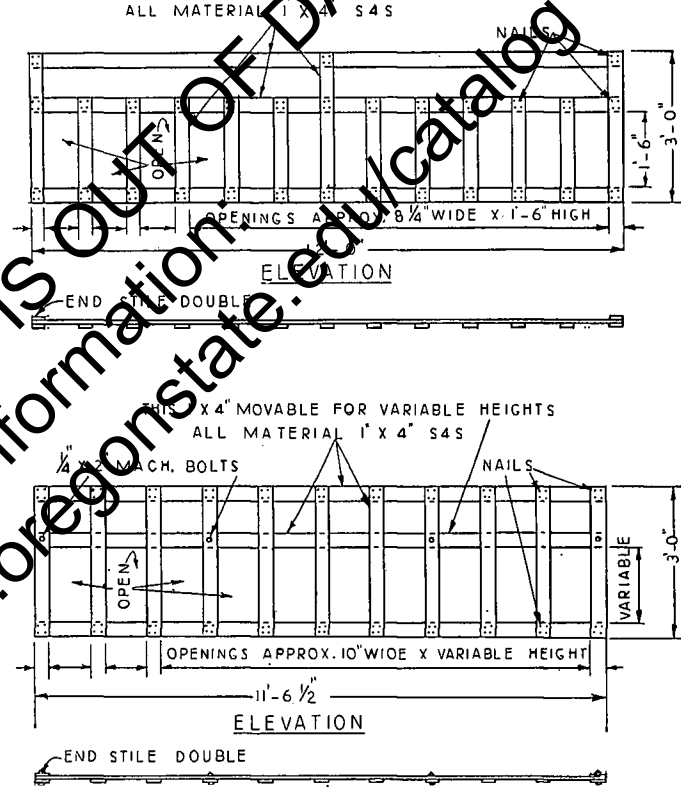


THIS PUBLICATION IS OUT OF DATE.
For most current information:
<http://extension.oregonstate.edu/catalog>

7. A WOOL-PACKING RACK

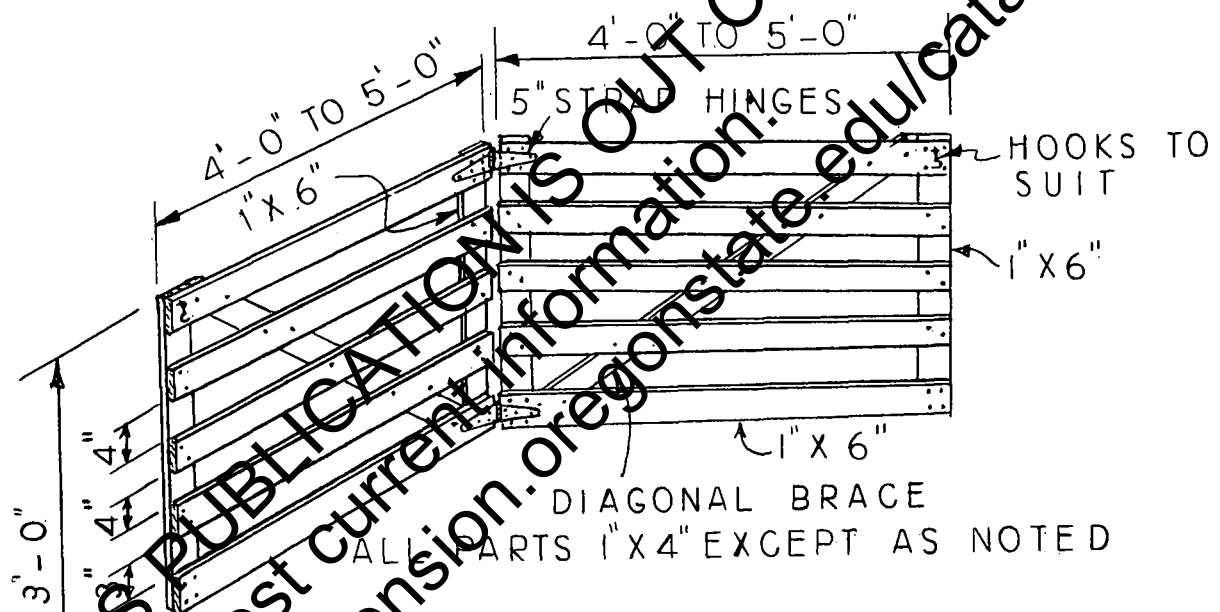


8. CREEP PANELS



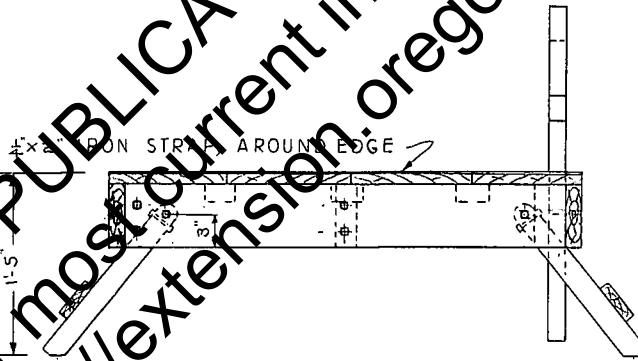
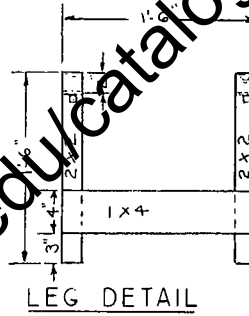
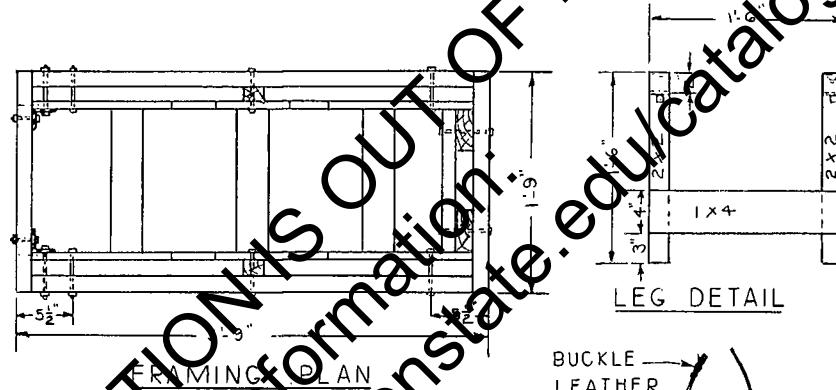
THIS PUBLICATION IS OUT OF DATE.
 For most current information, visit <http://extension.oregonstate.edu/catalog>

9. A HINGED PANEL FOR PEN IN SHELTERED AREAS

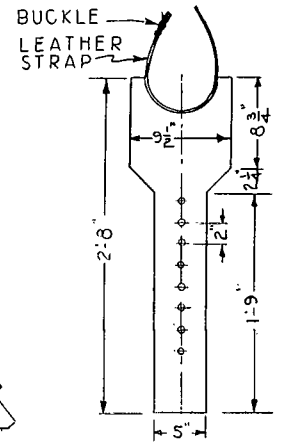


THIS PUBLICATION IS OUT OF DATE.
For most current information: oregonstate.edu/catalog
<http://extension.oregonstate.edu/catalog>

14. A CONVENIENT, PORTABLE SHEEP-BLOCKING BOX



SIDE VIEW



YOKE DETAIL

THIS PUBLICATION IS OUT OF DATE.
For most current information:
<http://extension.oregonstate.edu/catalog>

FEED SPACE REQUIRED

Self-feeders.....	1 inch per animal
Hay and grain.....	15 inches to 18 inches per ewe
Hay and grain.....	12 inches per lamb
Lambing pen.....	12 to 16 square feet per ewe
Space under shelter.....	10 to 15 square feet per ewe

Water should be available at all times.

THIS PUBLICATION IS OUT OF DATE.
For most current information:
<http://extension.oregonstate.edu/catalog>

A Pacific Northwest Cooperative Extension Publication

Cooperative Extension work in Agriculture and Home Economics, F. E. Price, Director, Oregon State College, and the United States Department of Agriculture cooperating. Printed and distributed in furtherance of the Acts of May 8 and June 30, 1914. 10m659

Published and distributed in furtherance of the Acts of May 8 and June 30, 1914, by the State College of Washington Extension Service, C. A. Svinth, Director, and the U. S. Department of Agriculture, cooperating. 7m659

Published and distributed in furtherance of the Acts of May 8 and June 30, 1914, by the University of Idaho Extension Service, J. E. Kraus, Director, and the U. S. Department of Agriculture, cooperating. 6m659